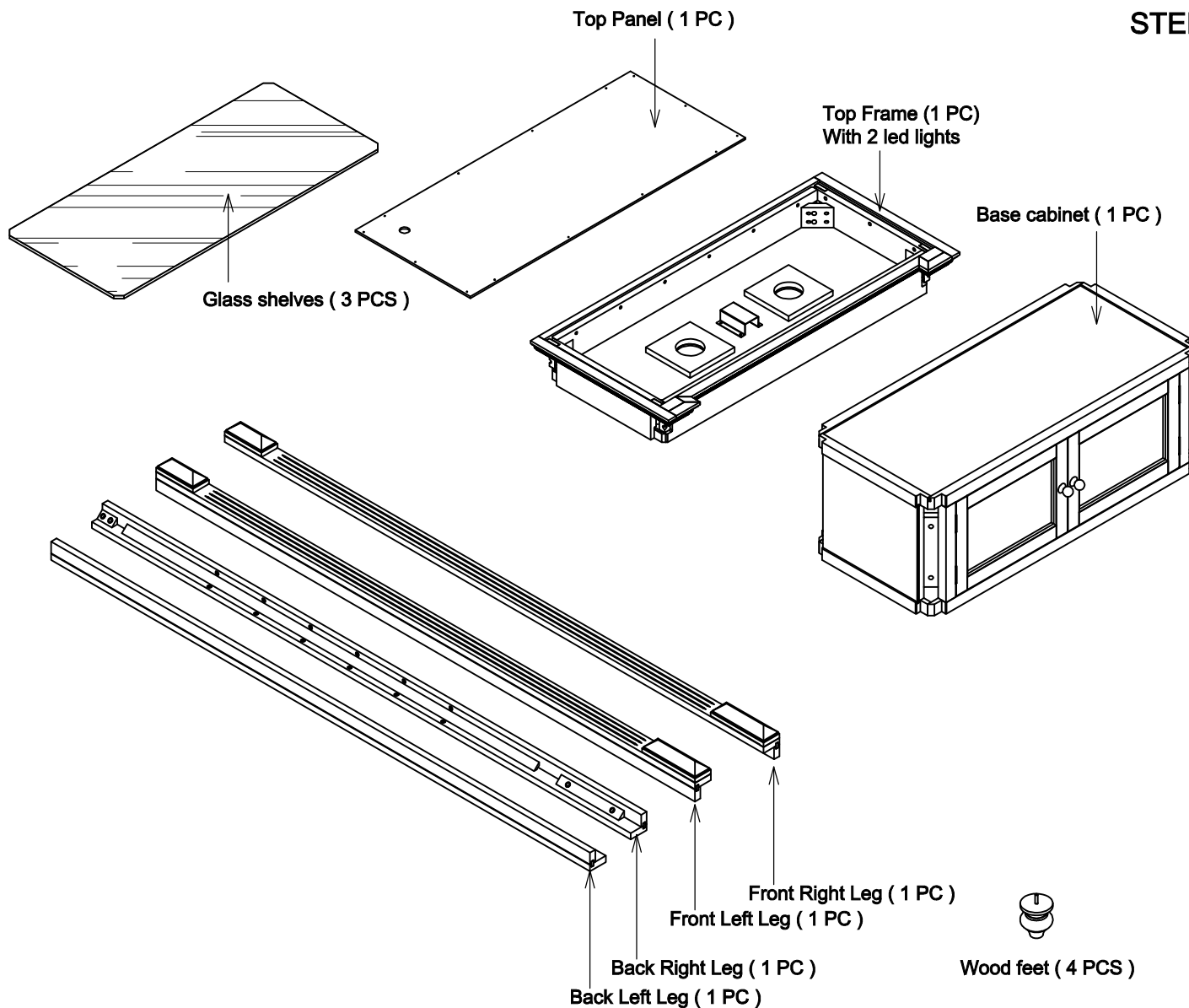












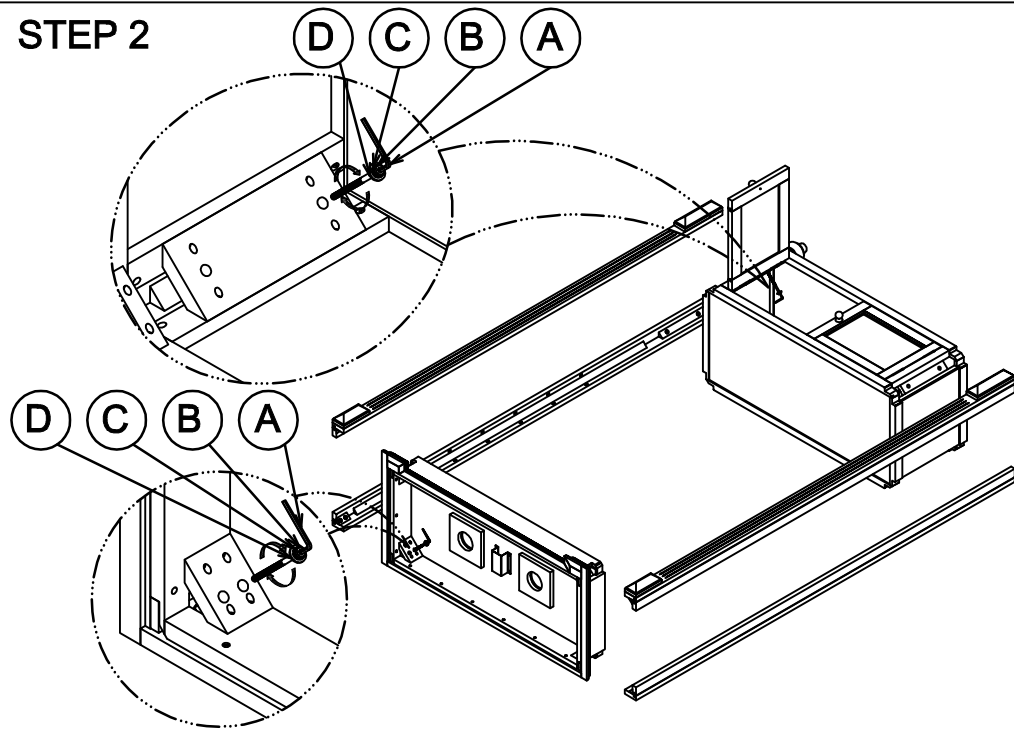
## 2111 - WALL UNIT ( EXTENDABLE ) ASSEMBLY INSTRUCTION



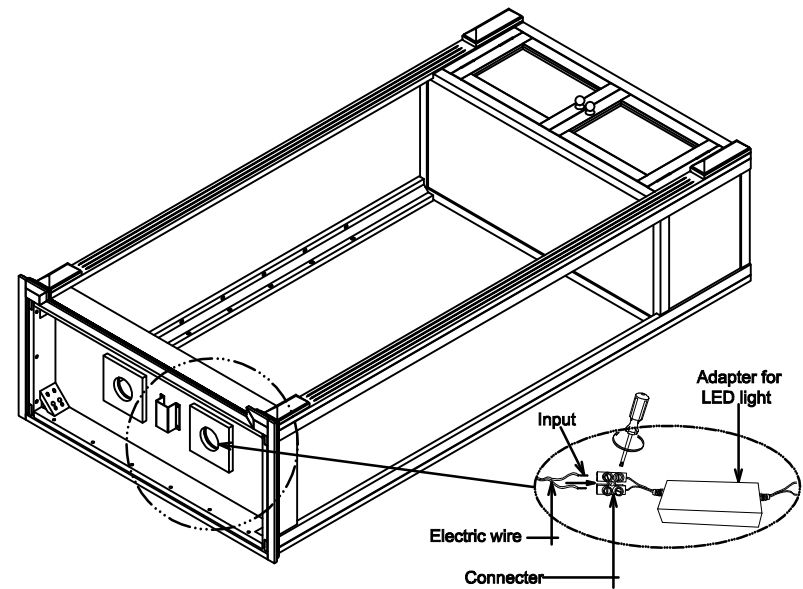
Code	Items	Qty
A	Allen Key K4 	1
B	Short Bolts M8x70 	16
C	Spring lock washer M8 	16
D	Plain washer M8 	16
E	Shelf support M6x7/Ø8x15 	12
F	Screw M3x15 	14

Code	Fixed Items in body	Qty
G	Long bolts M6x45 	6
H	Spring lock washer M6 	6
J	Plain washer M6 	6
K	Led light 	2

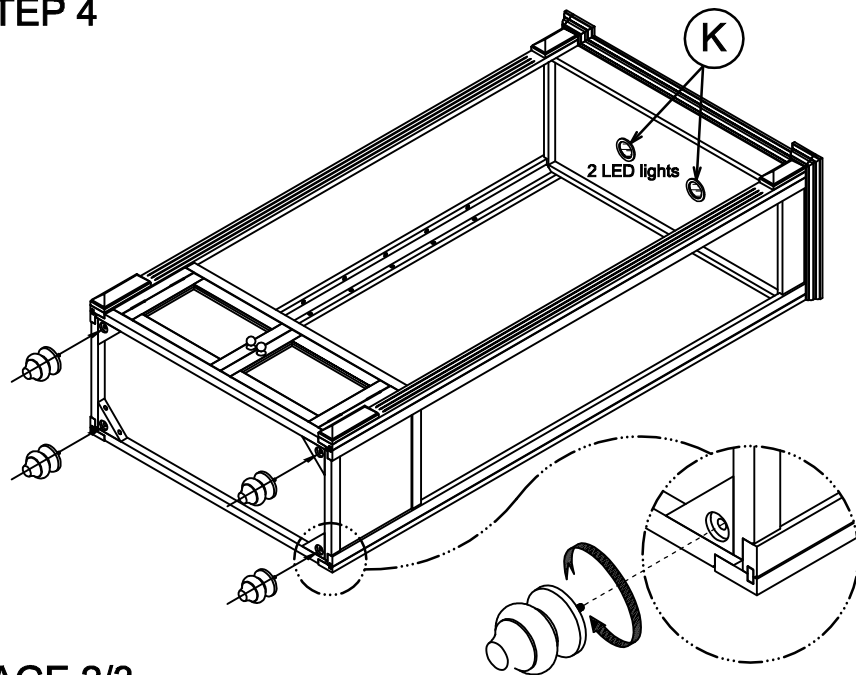
STEP 2



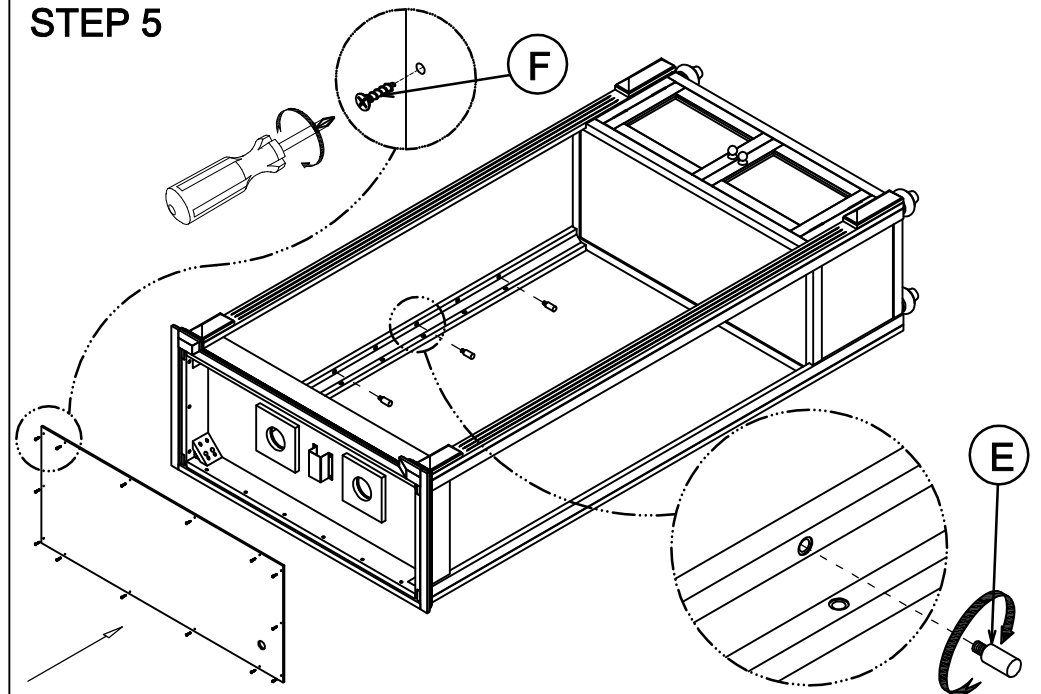
STEP 3



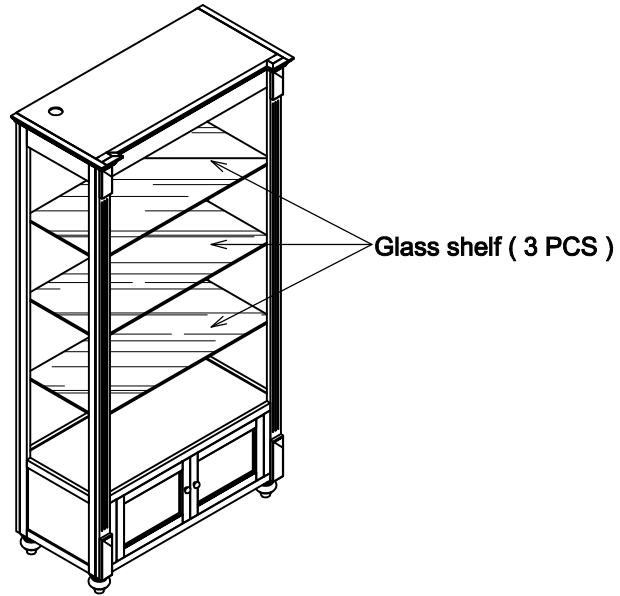
STEP 4



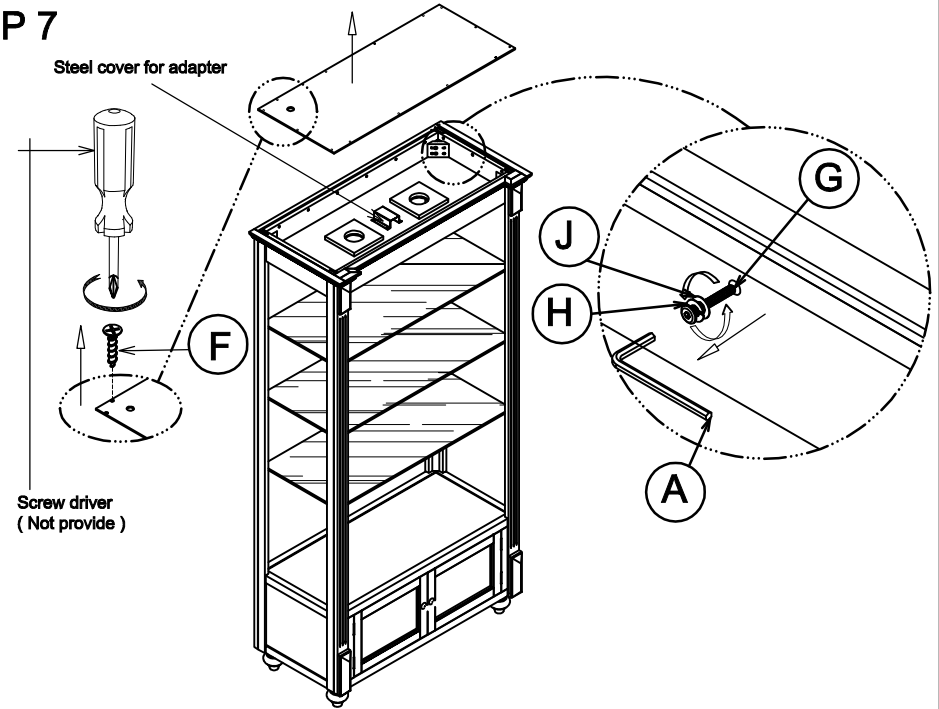
STEP 5



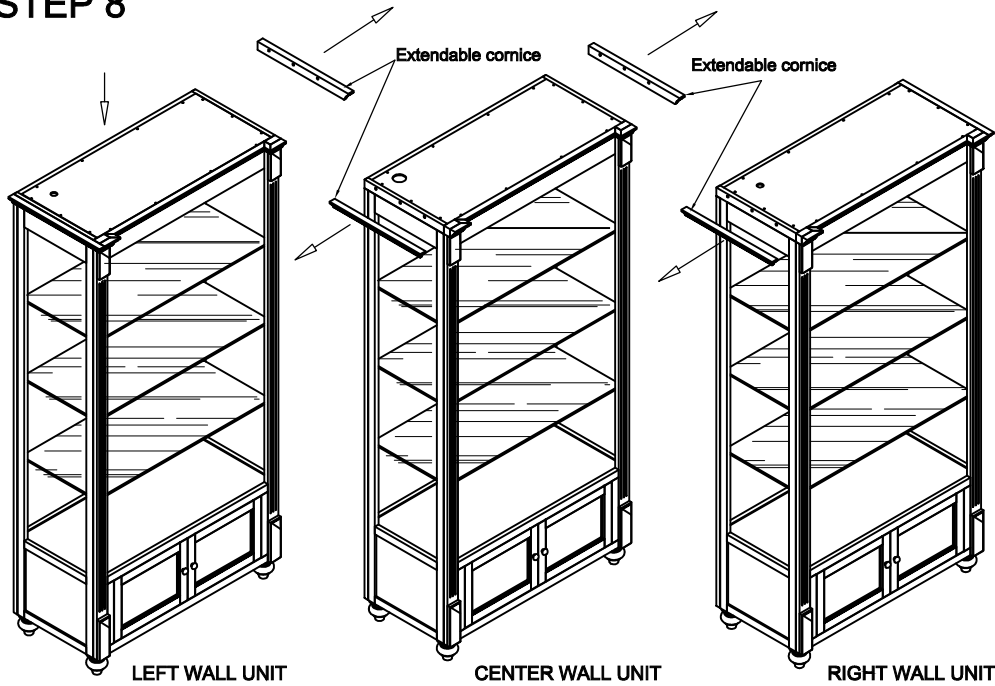
### STEP 6 ( FINISHED SINGLE )



### STEP 7



### STEP 8



### FINISHED ( SYSTEM WALL UNIT )

